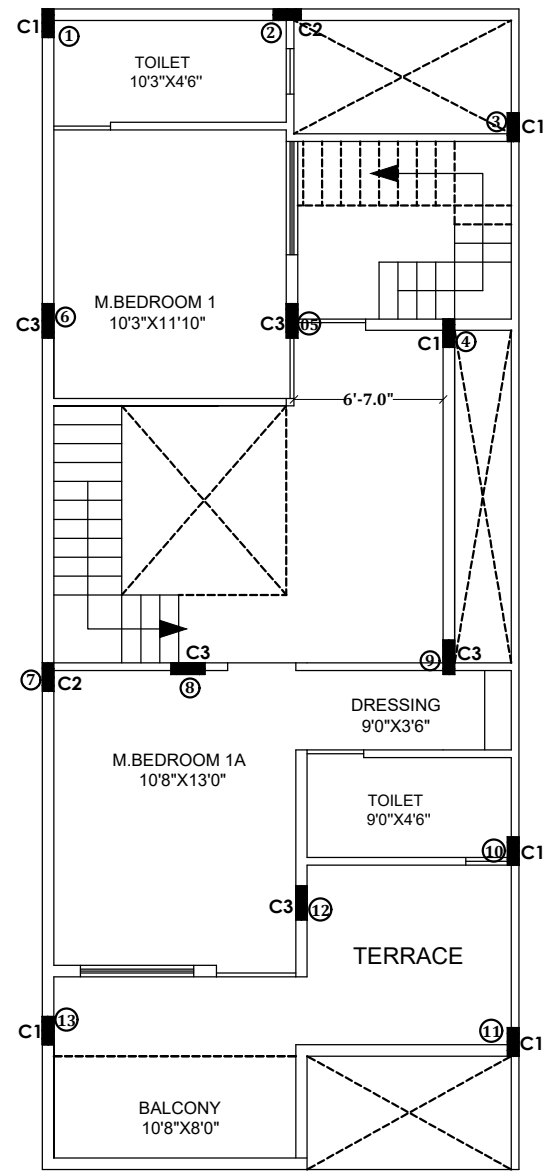


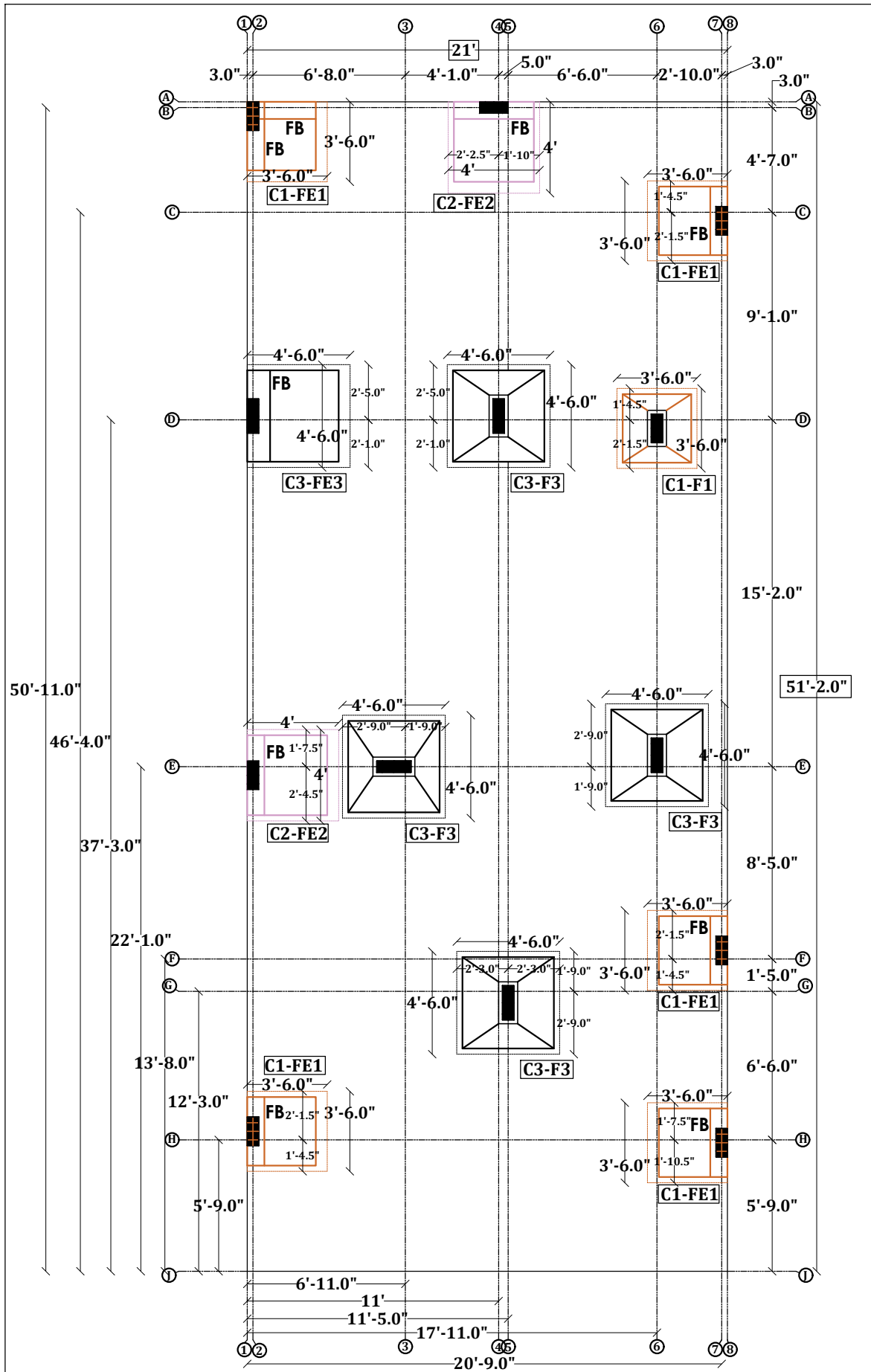
GROUND FLOOR

TOTAL COLUMNS:- 13 NOS.



FIRST FLOOR

TOTAL COLUMNS:- 13 NOS.



FOUNDATION PLAN

TOTAL COLUMNS:- 13 NOS.

NOTES:- CENTER LINE OF COLUMN CONCLUDE WITH CENTER OF FOOTING
REFER ARCHITECTURAL DRAWING & DIMENSION

SCHEDULE FOR FOOTINGS (M 20 , Fe - 500)

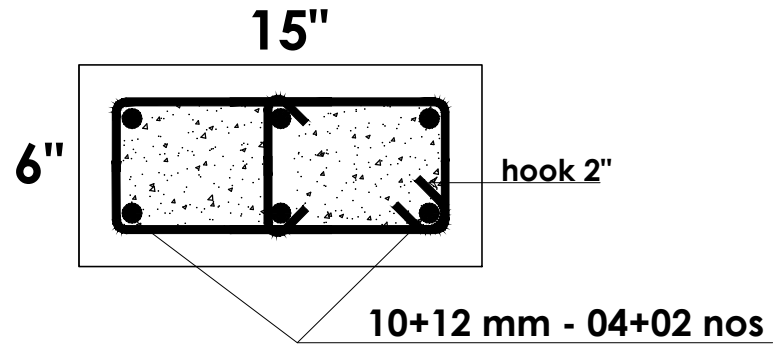
SR.NO.	FOOTING CODE	PIT SIZE (IN FEET)	SIZE OF FOOTING		DEPTH OF FOOTING		REINFORCEMENT				DETAILS OF ECCENTRIC FOOTING BEAM (FB)						TYPE OF FOOTING		
			L FEET	B FEET	D INCH	d INCH	PARALLEL TO SHORTER DIR.		PARALLEL TO LONGER DIR.		SIZE OF BEAM (IN INCHES)		DIA. OF TOP BARS IN (MM)	NUMBER OF TOP BARS	DIA. OF BOTTOM BARS (MM)	NUMBER OF BOT. BARS		STIRRUPS	
							DIAMETER OF BAR	NUMBER OF BARS	DIAMETER OF BAR	NUMBER OF BARS	B"	D"						DIA IN (MM)	SPACING IN (INCHES)
1	F1	3' 6" X 3' 6"	3' 0"	3' 0"	18"	6"	8 MM	07	8 MM	07									SLOPED FOOTING
2	FE1	3' 6" X 3' 6"	3' 0"	3' 0"	18"	6"	8 MM	08	8 MM	08	9"	18"	12 MM	02	12 MM	04	6 MM	4"	ONE WAY / TWO WAY ECCENTRIC FOOTING
3	F2	4' 0" X 4' 0"	3' 6"	3' 6"	18"	6"	8 MM	09	8 MM	09									SLOPED FOOTING
4	FE2	4' 0" X 4' 0"	3' 6"	3' 6"	18"	6"	10 MM	10	8 MM	08	9"	18"	12 MM	02	12 MM	04	6 MM	4"	ONE WAY ECCENTRIC FOOTING
5	F3	4' 6" X 4' 6"	4' 0"	4' 0"	18"	6"	8 MM	11	8 MM	11									SLOPED FOOTING
6	FE3	4' 6" X 4' 6"	4' 0"	4' 0"	18"	6"	10 MM	12	8 MM	10	12"	18"	12 MM	02	12 MM	04	6 MM	4"	ONE WAY ECCENTRIC FOOTING

SCHEDULE FOR COLUMNS (M 20 , Fe - 500)

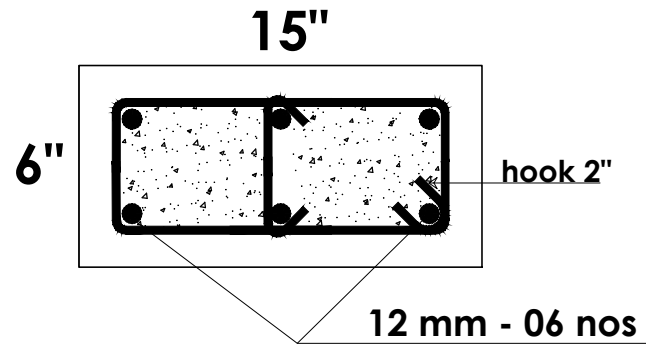
SR.NO.	COLUMN CODE	SIZE OF COL. (INCHES)		LONGITUDINAL STEEL		LATERAL STEEL (RINGS/LINKS)		TYPE OF COLUMN	REMARKS
		B"	D"	DIAMETER OF BAR	NUMBER OF BARS	DIAMETER OF RINGS	SPACING OF RINGS		
1	C1	6"	15"	12 MM 10 MM	04 02	6 MM	6"/6"	RECTANGULAR	ALT. FOURTH LINKS
2	C2	6"	15"	12 MM	06	6 MM	6"/6"	RECTANGULAR	ALT. FOURTH LINKS
3	C3	6"	18"	12 MM	06	6 MM	6"/6"	RECTANGULAR	ALT. FOURTH LINKS

CROSS SECTION OF COLUMNS

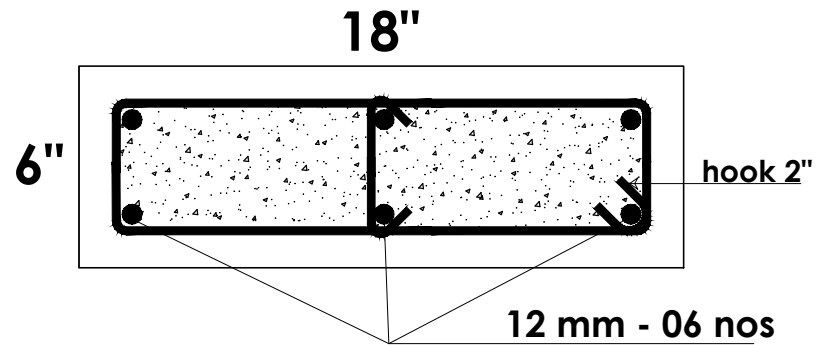
COLUMN (C1)

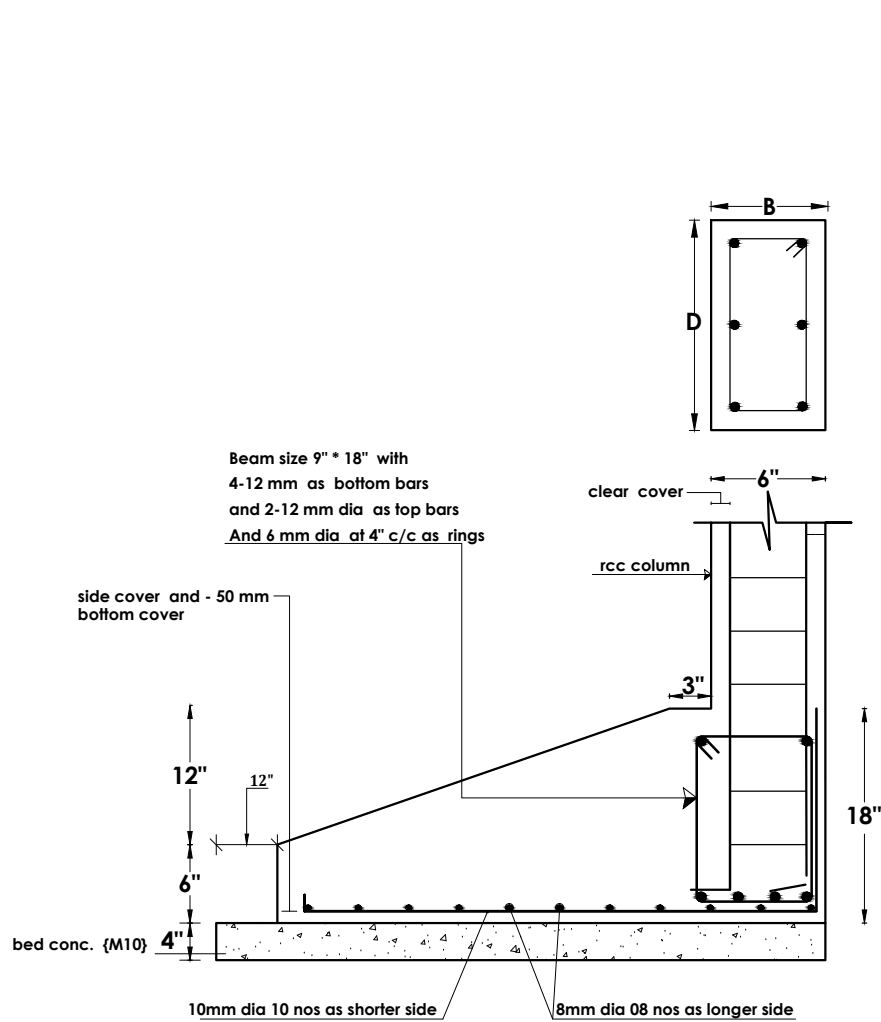


COLUMN (C2)

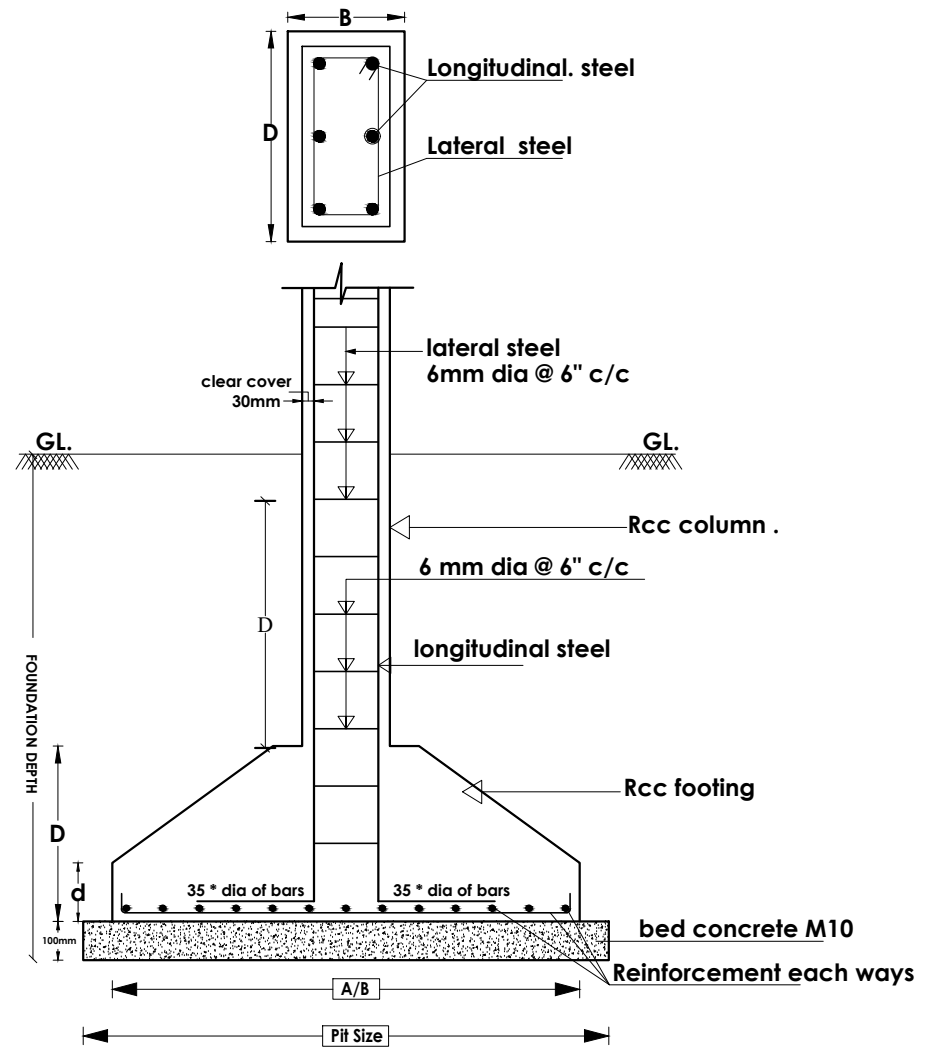


COLUMN (C3)





DETAILS AT ECCENTRIC FOOTING (C2/FE2)
CROSS-SECTION X ----X



TYPICAL DETAILS AT FOOTING

S.B.C.
200 kN/M2

CONCRETE MIX
M:20

STEEL
Fe 500

R.C.C. DETAILS OF COLUMNS & FOUNDATION

GENERAL NOTES:

GRADE OF CONCRETE

M 20 FOR R C C - (AS PER DESIGN MIX)

M10 FOR P C C { 1 : 3 : 6 }

GRADE OF STEEL

Fe 500 - 8 mm and above (TMT) -{ IS 1786 - 1985}

Fe 415 - 6 mm - (TMT)

CLEAR COVER

COLUMNS - 35 mm [1.5"]

FOOTINGS - 50 mm [2"] FROM ALL SIDES

BEAMS - 25 mm (1")

SLABS AND VERTICAL WALL - 20 MM (3/4")

DEVELOPMENT LENGTH

ON COMP. SIDE - 35 * DIA OF BAR

ON TENSION SIDE - 50 * DIA OF BAR

TO BE EXCAVATED UPTO HARD STRATUM

- REFER ARCHITECTURAL DRAWINGS AND DIMENSIONS
- ANY TYPE OF OPENING FOR PLUMBING AND ELECTRICITY IS NOT PERMITTED THROUGH RC SECTIONS
- BURNT OIL IS NOT PERMITTED FOR SHUTTERING
- ENSURE PROPER PLACEMENT OF STEEL AND AND COMPACTION OF CONCRETE BY ENGINEER INCHARGE
- IN HANGER COLUMNS LAPPING OF BARS IS NOT PERMITTED BETWEEN FLOORS
- DIMENSIONS ARE IN FEET
- CENTERING AND SHUTTERING IS NOT OUR RESPONSIBILITY
- QUALITY CONTROL IS NOT OUR RESPONSIBILITY
- OUR RESPONSIBILITY IS LIMITED TO THIS DRAWING ONLY
- STIRRUPS FOR CANTILEVER BEAMS TO HAVE HOOK AT BOTTOM.
- USE OF NEEDLE VIBRATOR AND PLASTISIZER RECOMMENDED FOR R.C.C. WORK.
- EXPOSED SURFACE OF CONCRETE SHALL BE KEPT CONTINUOUSLY IN WET CONDITION MINIMUM FOR 14 DAYS.
- LAPPING OF BARS IN BEAMS AND SLAB ARE NOT ALLOWED
- REFERENCES IS 456-2000 AND IS 13920 - 2016

CLIENT NAME :
MR.PRATIK DHOTE SIR

DATE : 21 -11 - 2023

ADVANCE COPY :

RELEASE FOR CONST. ✓

SHEET NO. - 01

REVISION . - 00

"RCC WALA"
STRUCTURAL CONSULTANT
& ENGINEER

Er. SHIRISH WARANKAR
B.E (CIVIL), M-TECH (STRUCT)
MOBILE: 91 3072 0400

OFFICE 1:- Tank Market Farshi Stop near Dastur nagar
Dastur nagar Road,Amt.